

**Features**


- Ceramic
- With overflow
- Under-mount installation
- Without faucet hole

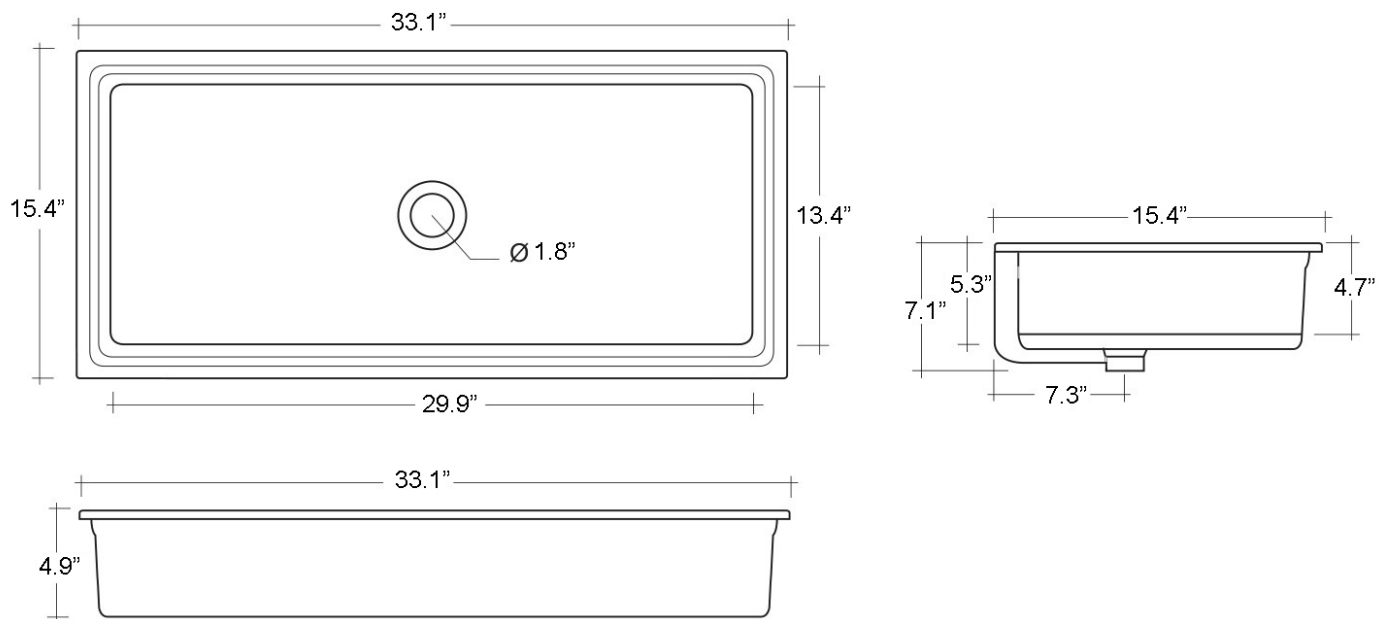
**City 84.39**



**SKU# | Option:**

- City 84.39 | White

<p><b>Collection</b> City</p>	<p><b>Model  </b> City 84.39</p>	<p>Dimensions Metric  <i>1 inch = 2.54 cm</i>  <i>1 inch = 25.4 mm</i></p>	 <p>1051 Lea Drive - Collegeville, PA 19426          Tel. 215 513 9400 - Fax 610 831 0215  <a href="http://www.ws bathcollections.com">www.ws bathcollections.com</a> - <a href="mailto:info@ws bathcollectins.com">info@ws bathcollectins.com</a></p>
-----------------------------------	--------------------------------------	--	---



Collection  
City

Model |  
City 84.39

Dimensions Metric

*1 inch = 2.54 cm*  
*1 inch = 25.4 mm*

**WS**<sup>®</sup>  
**BATH**  
**COLLECTIONS**

1051 Lea Drive - Collegeville, PA 19426  
Tel. 215 513 9400 - Fax 610 831 0215  
[www.ws bathcollections.com](http://www.ws bathcollections.com) - [info@ws bathcollections.com](mailto:info@ws bathcollections.com)

We recommend the following items that work with your sink.

## TRAPS



WSBC 53922  
*Our best seller*



WSBC 5392



WSBC 53925



WSBC 53921  
*Space saving*

## DRAINS



WSBC 53991  
Push waste drain (click clack)  
*with overflow*

## MOUNTING HARDWARE

### Wall-mount installation

### Vessel/ countertop installation



Bolts



Silicone (*optional*)

Collection  
City

Model |  
City 84.39

Dimensions Metric

1 inch = 2.54 cm  
1 inch = 25.4 mm

**WS**®  
**BATH**  
**COLLECTIONS**

1051 Lea Drive - Collegeville, PA 19426  
Tel. 215 513 9400 - Fax 610 831 0215

[www.ws bathcollections.com](http://www.ws bathcollections.com) - [info@ws bathcollections.com](mailto:info@ws bathcollections.com)